



Tab Secure
**WALL
ASSEMBLY**



Tab Secure Wall

Secure your tablet in style with the Tab Secure Tablet stands. This wall mounted solution allows you to mount any tablet to your wall. Help your customers to help themselves when things get busy; put your tablets to work as an engaging tool and let it interact with your clients.

- Internal specific tablet fitting kit
- Can be mounted in landscape or portrait mode.
- Tamper proof tubular lock with 2 keys.
- Kensington lock point for optional extended security.
- Radio-transparent chassis for Wi-Fi, Bluetooth, 3/4G, and NFC.
- Available in Both Black and White.



Key Features



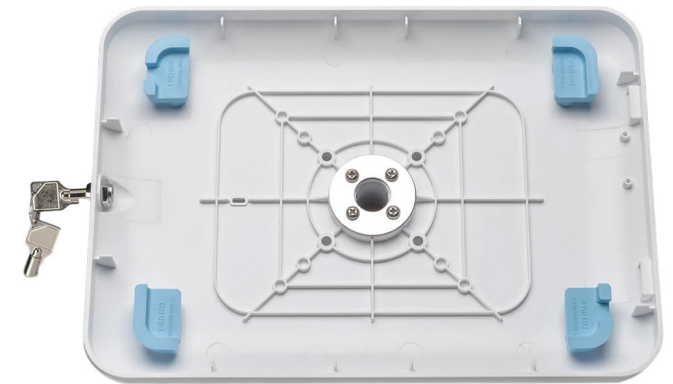
Secure Enclosure

Each enclosure is secured together by a high quality key and barrel.



Wall Support

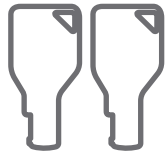
Built from strong high grade aluminium alloy to support and secure your tablet.



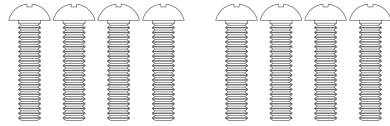
Future Proofing

Easily accommodate new tablet models by replacing the "old" blue rubber kits (and acrylic faceplate).

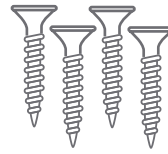
What's In The Box



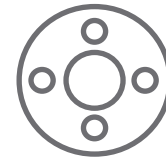
Pair of Keys



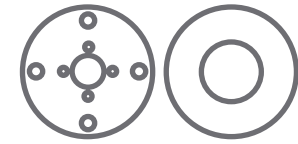
8x Bolts



4x Mounting Screws



Washer Plate



Mounting Plate

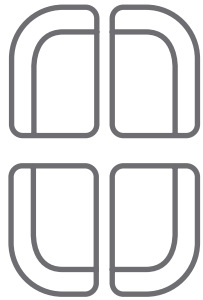
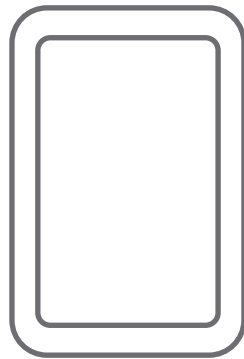
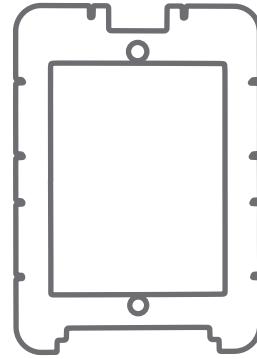


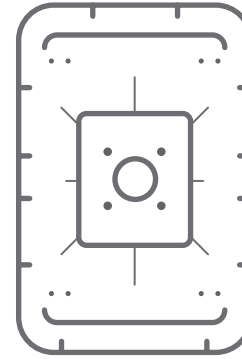
Table Fit Kits



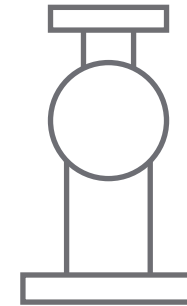
Metal Face Cover



Acrylic Faceplate

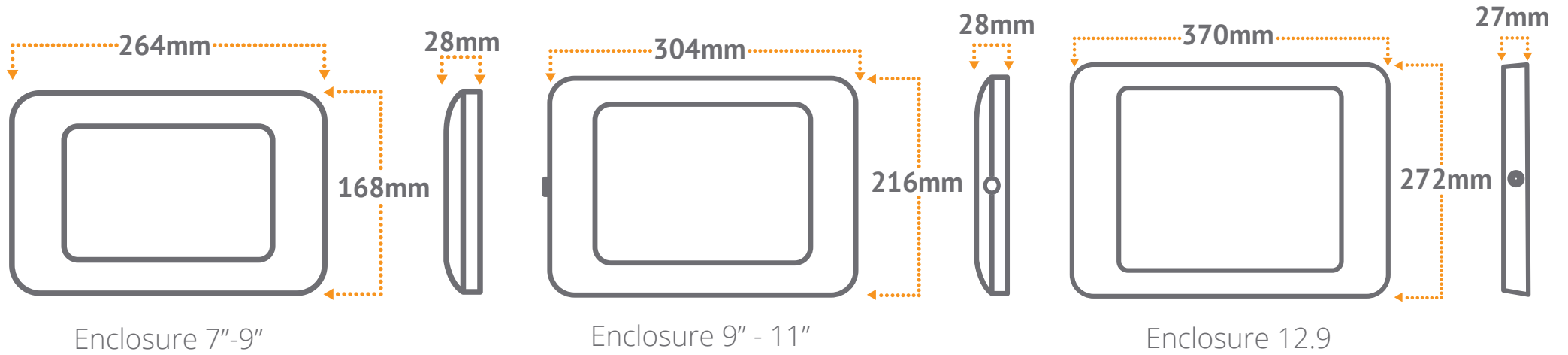


Enclosure



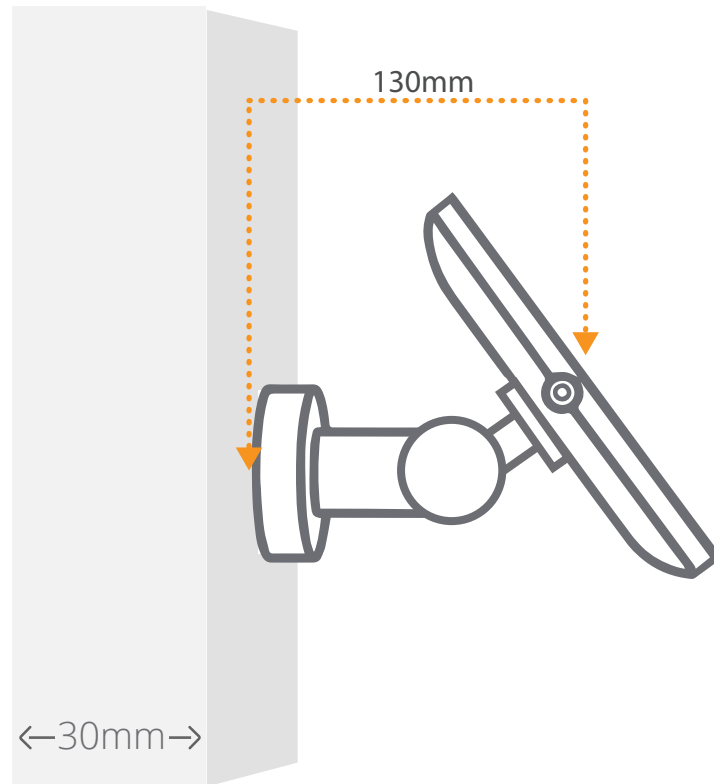
Stalk

Dimension Enclosures



Dimension WallMount

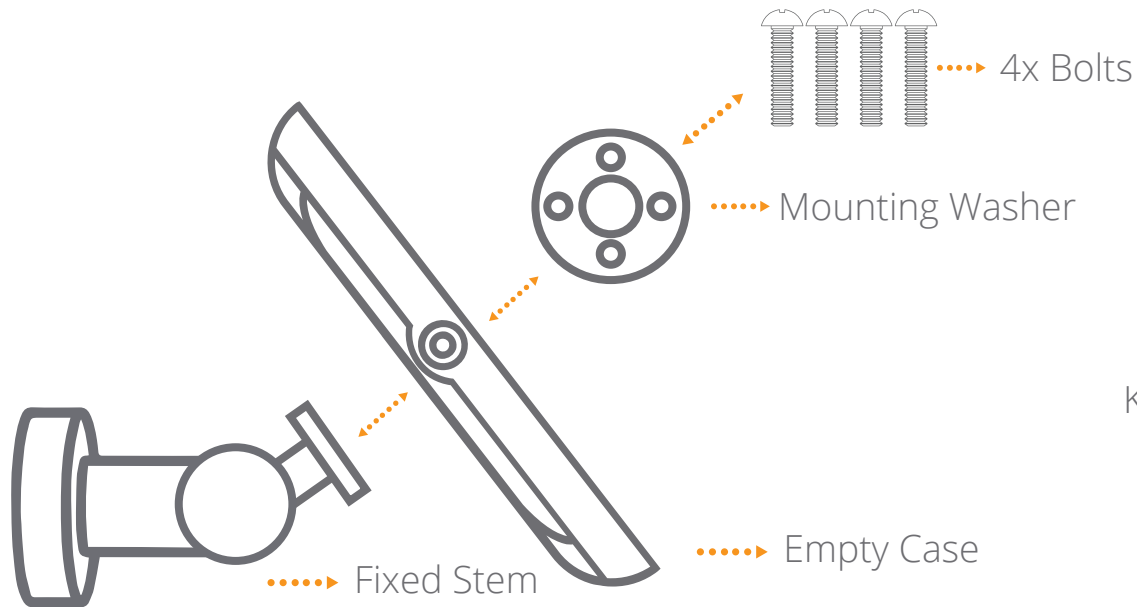
The measurements below are for 9-11 enclosures.



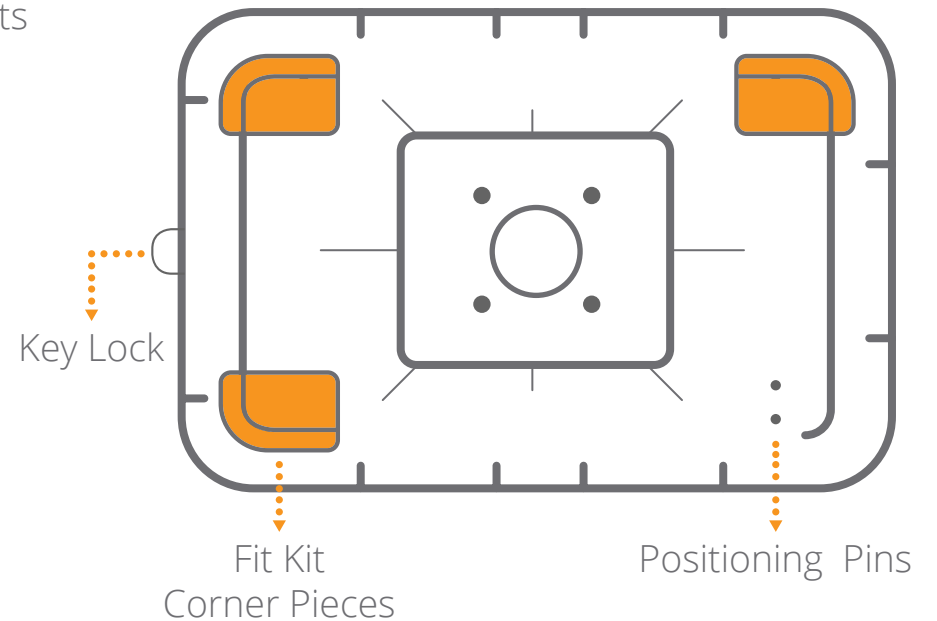
Maximum Mounting Surface Thickness : 30mm

Installation Guide

STEP 1: Attach the Case to the Stem by using the four bolts and the mounting washer to join together.

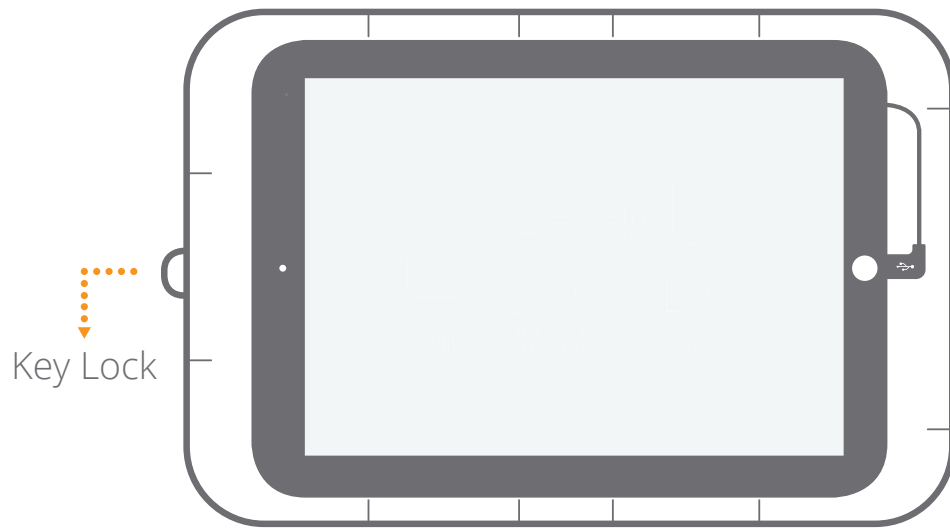


STEP 2: Firmly insert each of the four Fit Kit rubber corner pieces into the case by aligning with the Positioning Pins.

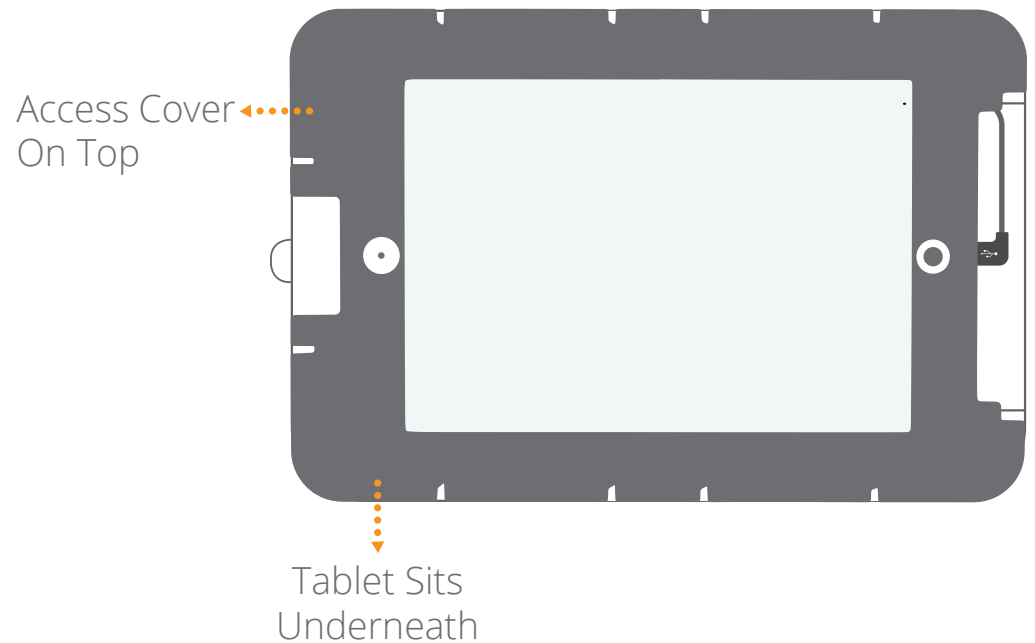


Insert Ipad or Tablet

STEP 1: Connect the charge cable to the tablet, then insert your tablet into the Fit Kit corner pieces. It should sit neat and snug.

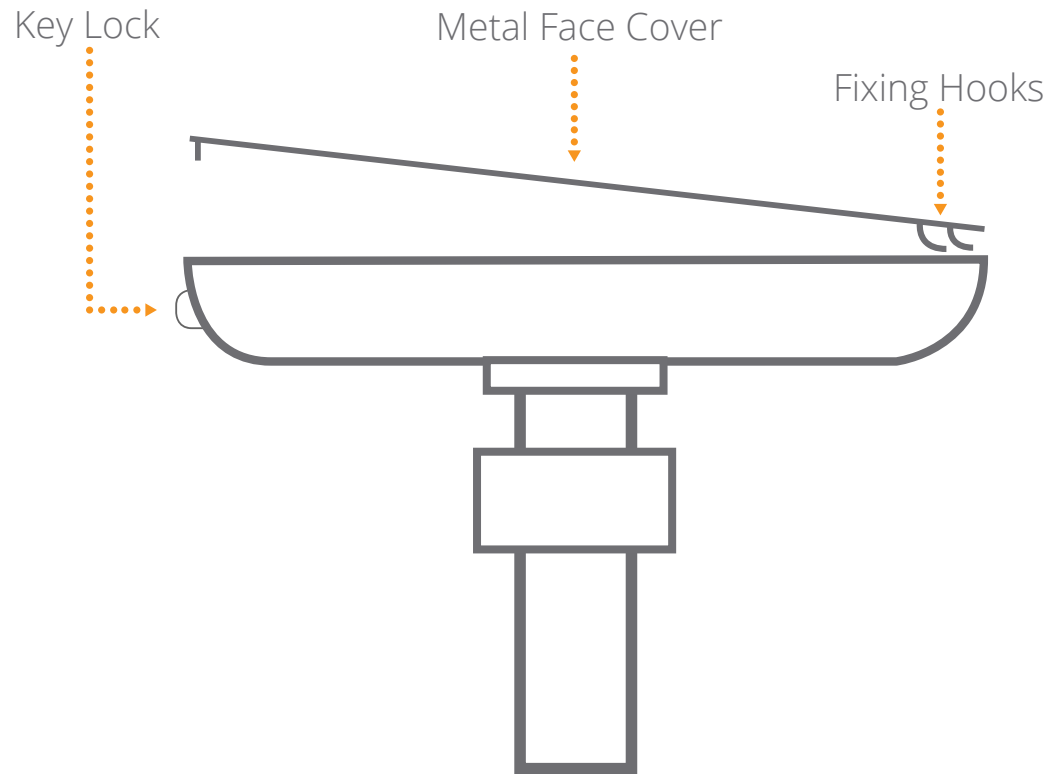


STEP 2: First, peel the brown protective seal from one side of the Access Cover. Then insert the Access Cover over the top of your tablet with the black, shiny side facing up.

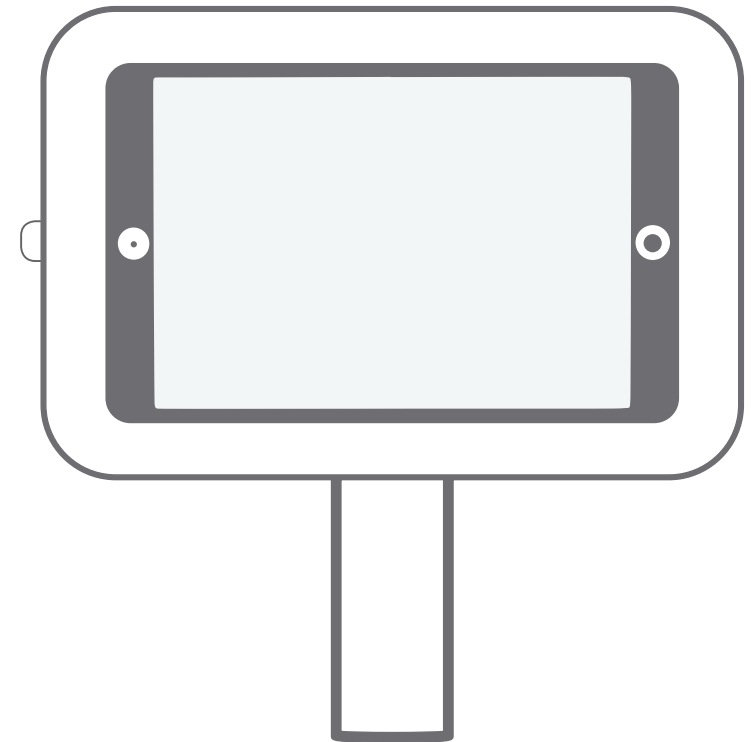


Attach The Faceplate

The last step is to lock-down the Metal Face Cover to secure and protect your tablet. First, position the two Fixing Hooks into the Case (opposite side of the Key Lock). Then pop in the other end. The Faceplate should click into the Case and sit flush.



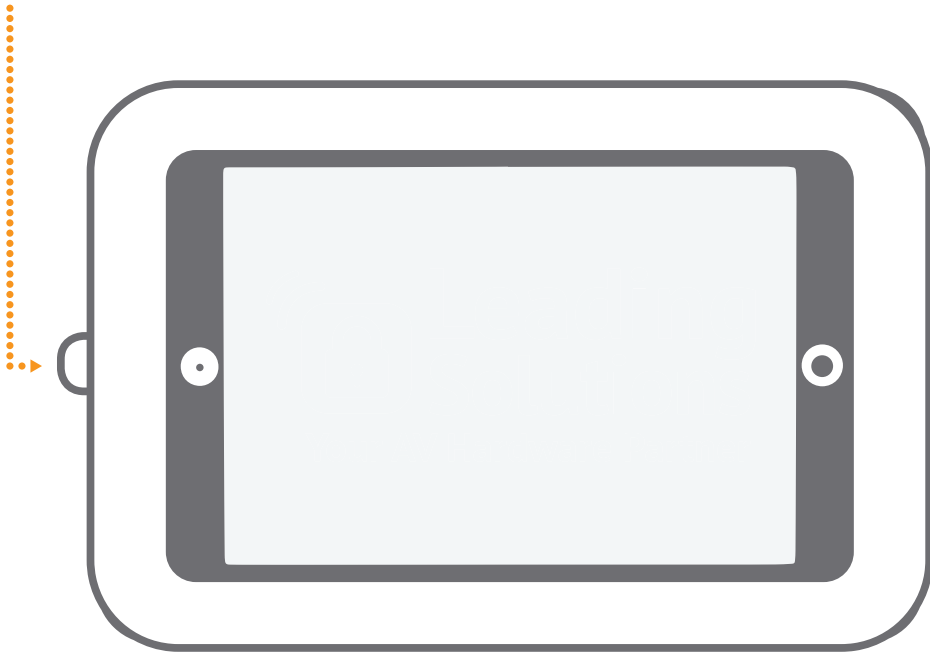
Example



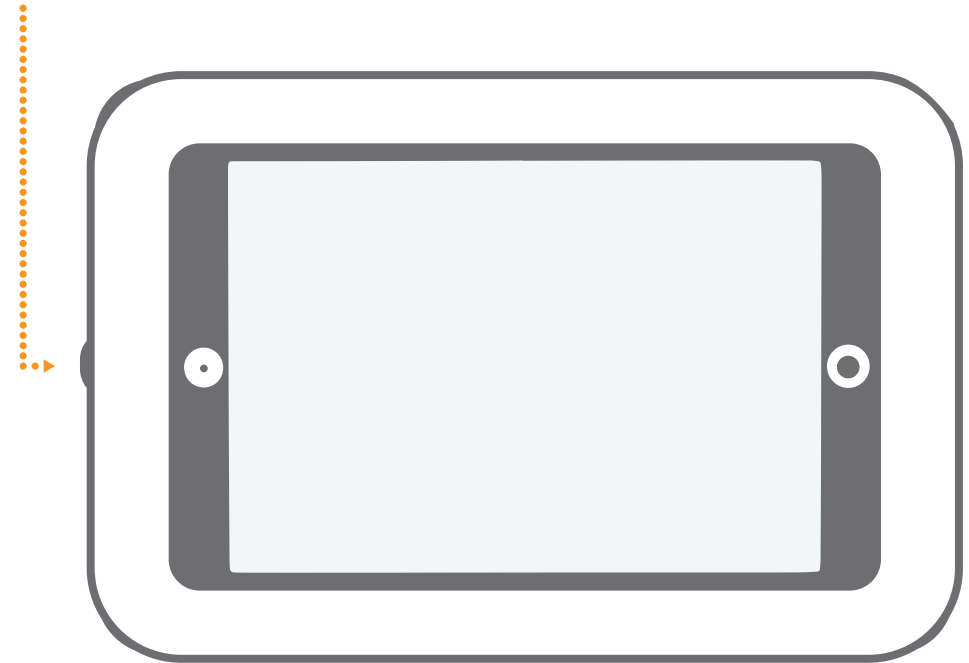
Push To Lock

To complete the setup of your kiosk and ensure your device is secure, make sure to push in the lock-pin. To unlock use the 2 keys provided.

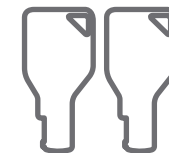
When the lock-pin stands out, it means your kiosk is open



To secure your kiosk, push in the lock-pin

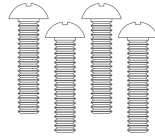
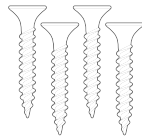
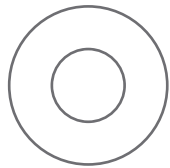
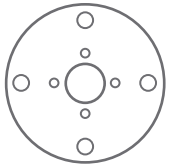


Please note: The Pair of Keys are use to unlock the kiosk.



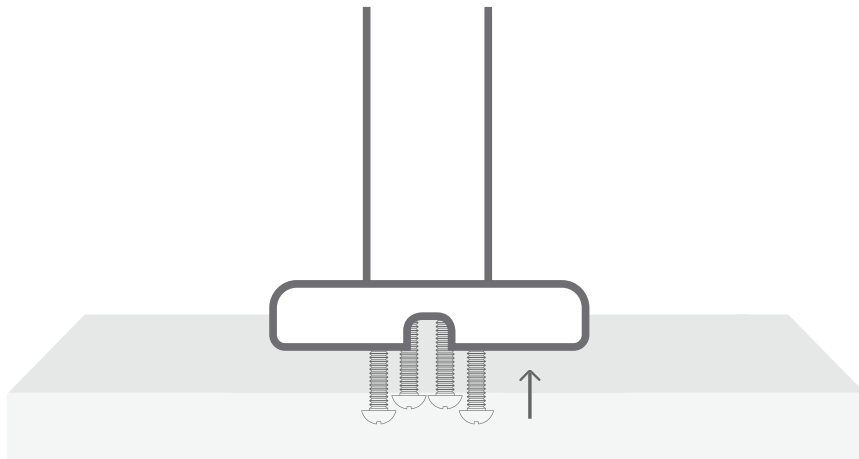
Screw To Wall

Box Inclusion:

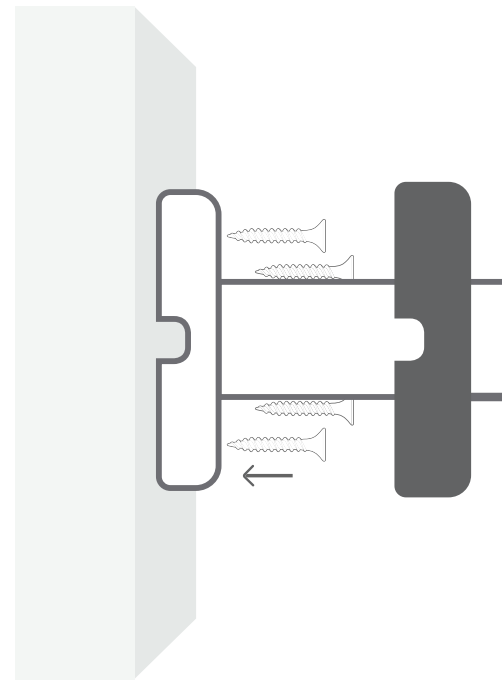


1x Baseplate 1x Basecover 4x Screws 4x Bolts

STEP 1: Connect the Base Plate to the Stem using the four bolts provided, tightening from underneath

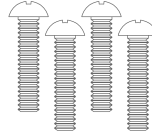
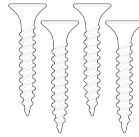
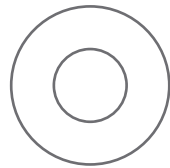
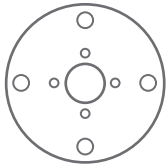


STEP 2: Secure the Base Plate to your wall using the four screws.



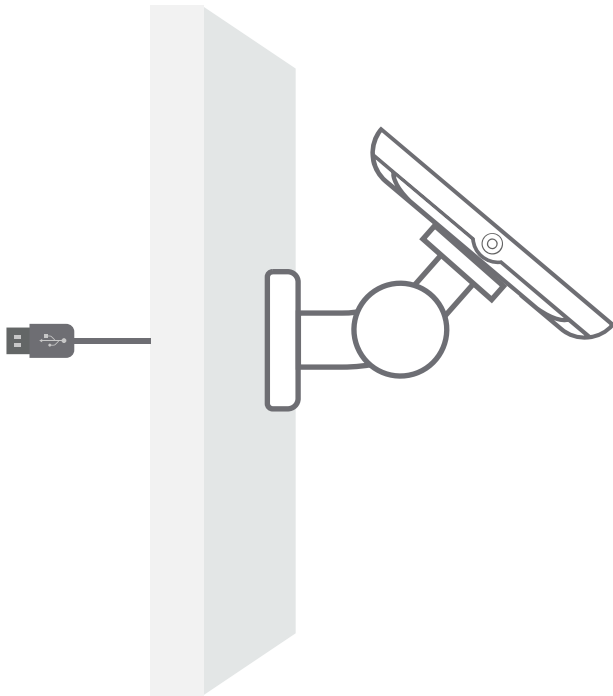
Charging Cable Option

Box Inclusion:



1x Baseplate 1x Basecover 4x Screws 4x Bolts

STEP 1: Feed charging cable through the counter to complete



STEP 2: The charge cable can exit out of the base and plugged to the nearest power supply.

