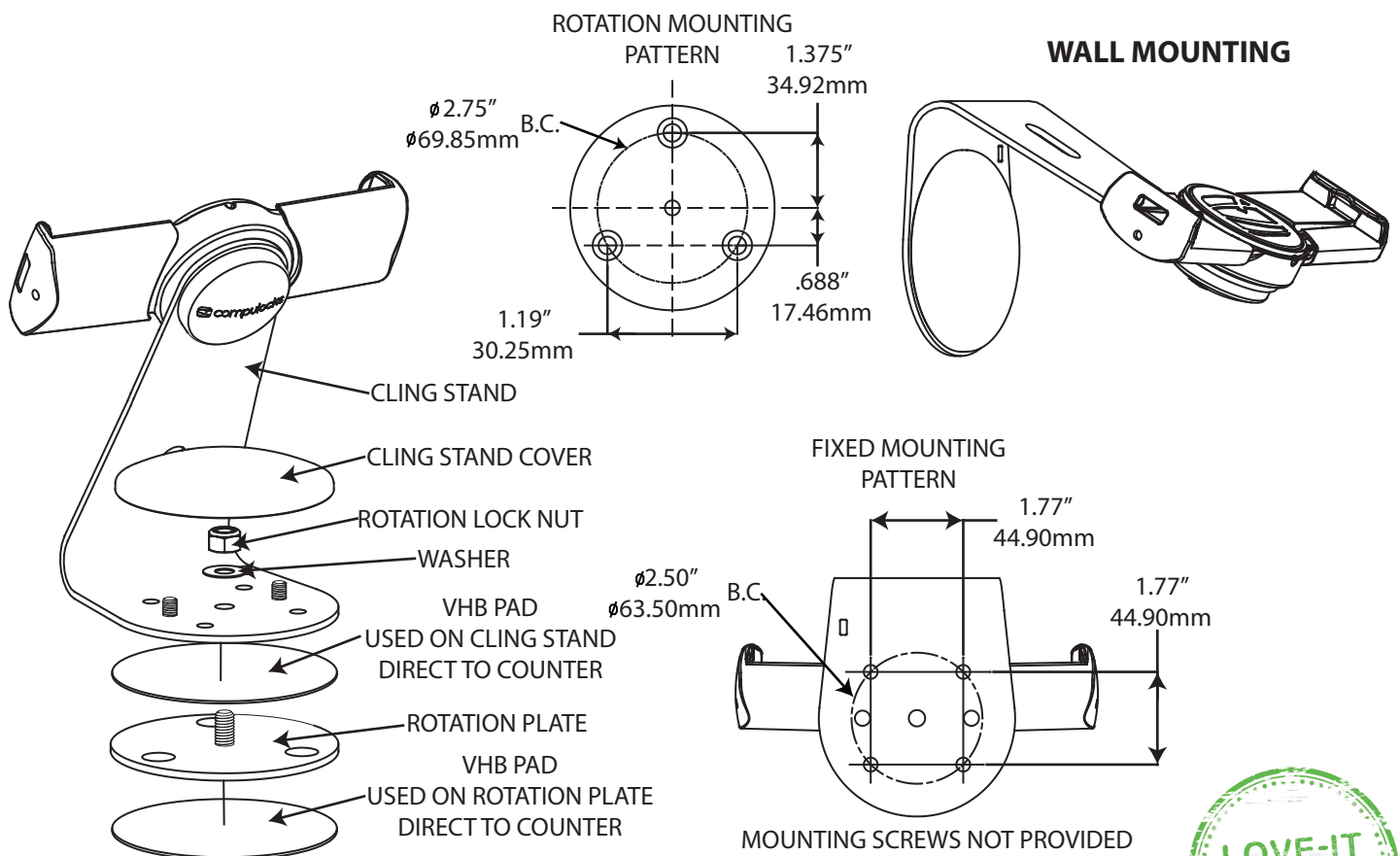


FEATURES

- Directly mount to counter (hardware included).
- Adhesive Base provides security without damaging counter surface or cash drawer.
- Easily adjustable Tablet Mounting.



For Further Assistance:

1.800.948.0344

sales@maclocks.com

