

IPSWD-RWB

IP Speaker with Display

Overview

Keep your facility notified and on schedule with the PoE IP Speaker with Display. Capture attention in any environment using multi-colored text, pixel graphics, 8 inch speaker, and LED flashers. Required surface mount (IPS-SM1) or flush mount (IPS-FM1) enclosure sold separately.

The IPSWD-RWB is typically installed in classrooms or any average sized room, easily integrates with VoIP phone systems, 3rd party emergency software, and includes ClockWise Campus software with purchase.

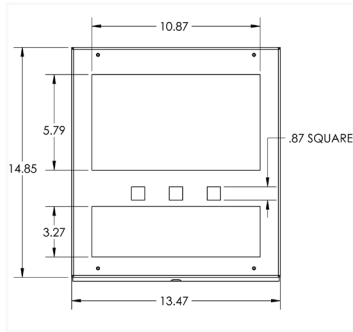
Description

 <p>DISPLAY</p> <p>Multi-color LED scrolling text and pixel graphics. 1-line or 2-line display.</p>	 <p>MICROPHONE</p> <p>Hands-free two-way intercom.</p>	 <p>FLASHERS</p> <p>One red, one white, one blue LED flasher. Individually controlled.</p>	 <p>AUDIO</p> <p>8" high-efficiency speaker audio coverage up to 600ft².</p>
 <p>PERIPHERAL INTEGRATION</p> <p>Connect a strobe, motion sensor, electronic lock, call button, etc.</p>	 <p>SOFTWARE</p> <p>ClockWise Campus software included. Compatible with approved third-party software.</p>	 <p>SIP INTEGRATION</p> <p>SIP-enabled. Easily interfaces with VoIP / SIP phone systems.</p>	 <p>LIGHT SENSOR</p> <p>Auto-dimming display.</p>

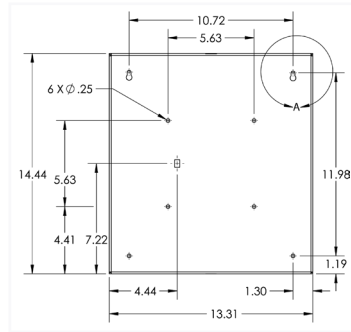
Solutions	Additional Features	Compatible Peripherals	Accessories
<ul style="list-style-type: none"> Paging Intercom Bell scheduling Code alerts Emergency notification Access control Security monitoring Music streaming 	<ul style="list-style-type: none"> Built-in web server Full multicast and broadcast support Requires Cat5 or Cat6 cable Atomic time 	<p>Strobe Kit</p> <ul style="list-style-type: none"> AND-STROBE-KIT-1 *Requires AND-PIA-2 for MAC address 20:46:F9:09:xx:xx or lower <p>Call Button Kit</p> <ul style="list-style-type: none"> BTN-KIT-MIC-ND for MAC address 20:46:F9:0B:xx:xx or higher AND-BTN-KIT-1 *Requires AND-PIA-2 for MAC address 20:46:F9:09:xx:xx or lower <p>Peripheral Interface Adapter Board</p> <ul style="list-style-type: none"> AND-PIA-2 	<ul style="list-style-type: none"> Enclosure is required and sold separately. <p>Surface Mount</p> <ul style="list-style-type: none"> IPS-SM1 <p>or Flush Mount</p> <ul style="list-style-type: none"> IPS-FM1

Dimensions

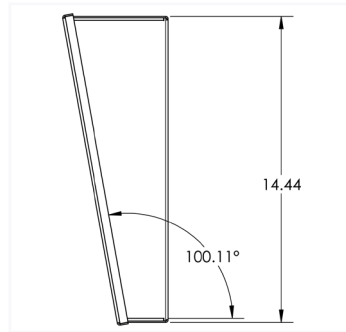
(Dimensions are subject to change)



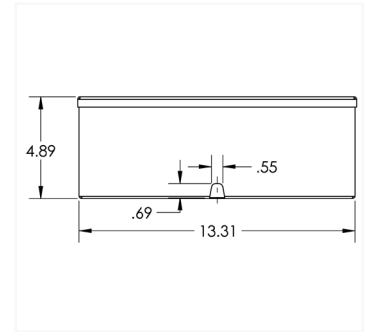
Front



Back



Side



Top

Specifications

Due to continual product development, specifications are subject to change without notice.

Power Input	PoE (IEEE802.3af) 15.4 W or PoE+ (IEEE802.3at) 30.0 W	
Ethernet I/F	10/100 Mbps	
Speaker Size	8"	
Audio Power	8 W / 16 W	
Frequency Response	60 Hz - 17 kHz	
Audio Payload Types	G711, A-law and μ -law	
Average Sensitivity	95dB, 1W / 1 M	
Supported Protocols	SIP, IPv4, IPv6, 802.1X, HTTP, SLP, TFTP, NTP, SNMPV1 & SNMPV2c, DHCP, IGMP, ICMP, TCP/IP, LLDP-MED, UDP, MDNS & MDNS-SD	
General Purpose Interface	MAC address 20:46:F9:0B:xx:xx or higher 2 GPI: 1 via RJ-11, 1 via Cable Harness 1 GPO 17.5 VDC	MAC address 20:46:F9:09:xx:xx or lower 2 GPI via AND-PIA-2 1 GPO: Contact Closure or 12 VDC / 15 VDC via AND-PIA-2
	MAC address 20:46:F9:0B:xx:xx or higher N/A	MAC address 20:46:F9:09:xx:xx or lower Analog Line Out via AND-PIA-2 Analog Line In via AND-PIA-2
Operating Temperature	14° TO 122° F (-10° TO 50° C)	
Dimensions	13.47" W x 14.85" H x 4.89" D	
Weight	10.5 lbs (4.7 kg)	
Warranty	2 Year Limited	

