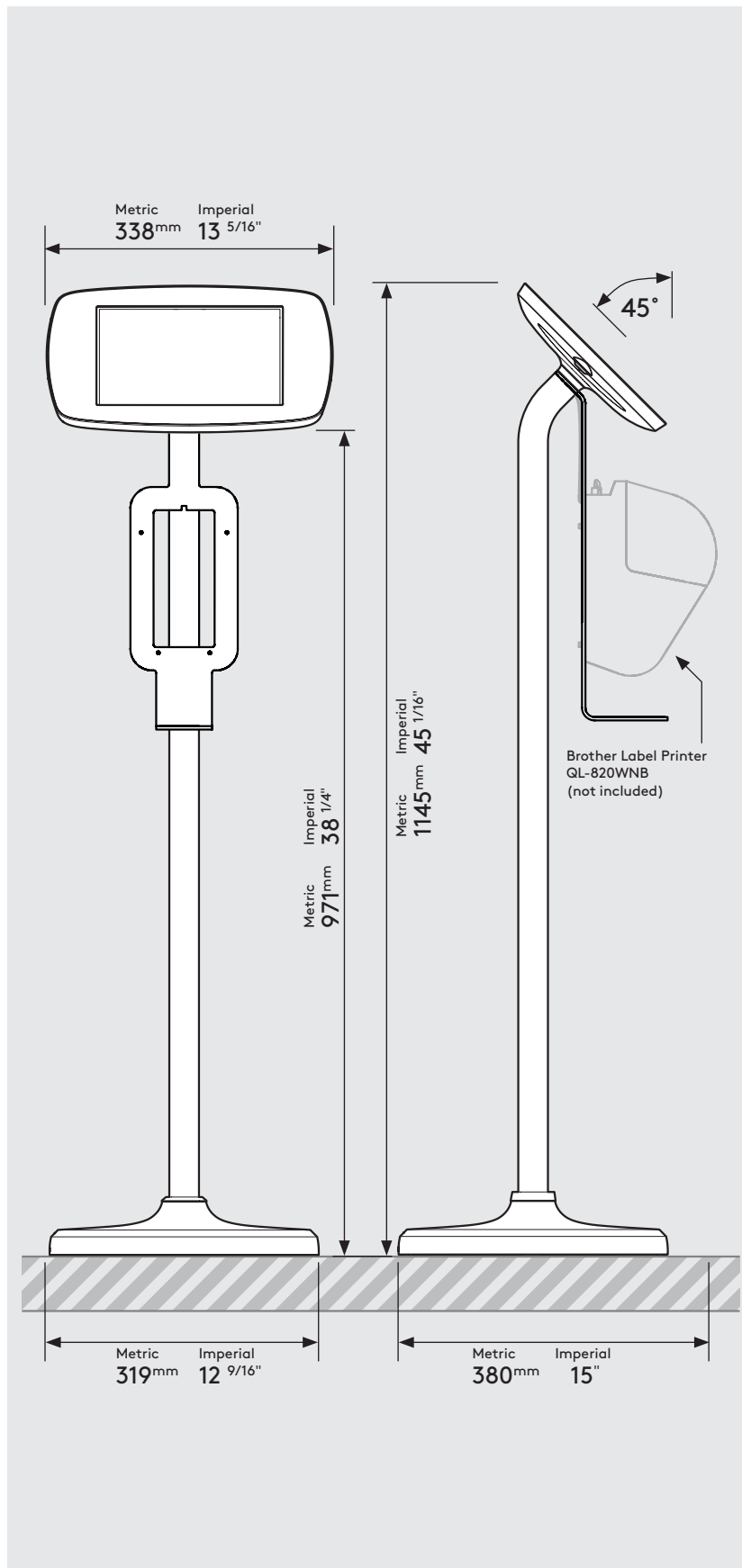


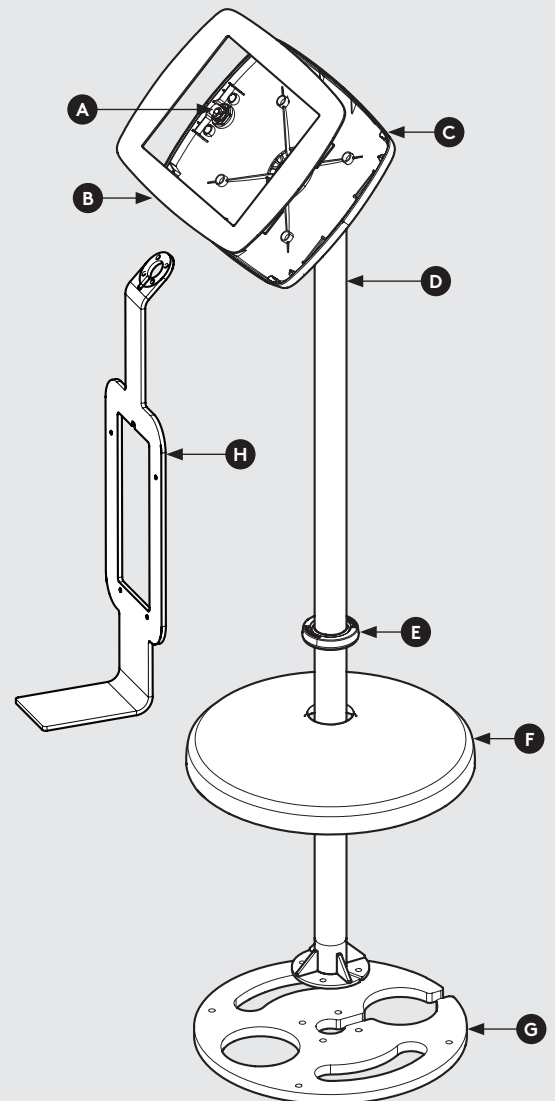
PRODUCT DATA SHEET - FLOORSTANDING WITH PRINTER MOUNT (MAXI CASE)

bouncepad®

Case: Maxi **Arm:** Floorstanding **Mounting:** Not Applicable **Packaged weight:** 14.5kg **Colour:** White / Black



Parts in the Box



- A** Case Lock
Brass, Stainless Steel
- B** Faceplate
Powder coated Stainless Steel
- C** Case
PC/ABS Plastic
- D** Pole
Powder coated Mild Steel, Aluminium
- E** Collar
Rubber
- F** Cover
Powder coated Mild Steel
- G** Base
Powder coated Mild Steel
- H** Bracket
Powder coated Mild Steel

Tablet Set-up Kit

